

SHARP PARTS GUIDE

MODEL ER-01PU

(for KB, TQ, TS, KA, U)

PRINTER: PR-58L

CONTENTS

- | | | | |
|---|--------------------------------|---|---------------------------------------|
| 1 | Exteriors | 5 | Panel PWB unit |
| 2 | Packing material & Accessories | 6 | Articles for consumptions |
| 3 | Control PWB unit | 7 | Service route options & Service tools |
| 4 | N.F/PS PWB unit | | Index |

Because parts marked with "⚠" is indispensable for the machine safety maintenance and operation, it must be replaced with the parts specific to the product specification.

Table of destinations

SELECTION CODE	COUNTRIES
U	U.S.A., Guam
A	Canada
TS	Germany
TQ	SEEG territory other than Germany (Stamp:English)
TR	SEEG territory other than Germany (Stamp:Spanish)
KB	U. Kingdom
KA	Australia

SELECTION CODE	COUNTRIES
K	Korea

SELECTION CODE	COUNTRIES
SB	Saudi Arabia(127V area)
SBA	Saudi Arabia(220V area)
SC	Taiwan
SD	Venezuela
SE	Hong Kong
SG	Lebanon, Syria, Greece, Pakistan, Iran, Egypt, Thailand, Iraq, Mauritius, Seychelles, Tahiti, Jordan, Sudan, Turkey
SH	South Africa(U.S.A. version)
SHE	South Africa(Europe version)
SJ	Philippines(Europe version)
SJ2	Philippines(U.S.A. version)
SM	Kuwait, Qatar, Oman, UAE, Malta, Bahrain
SMT	Nigeria, Yemen, Kenya

SELECTION CODE	COUNTRIES
RA1	Morocco, Algeria, Tunisia, West Africa
RA2	Chile, Uruguay, Peru, Argentina, Paraguay
RA5	Sri Lanka

SELECTION CODE	COUNTRIES
RB3	Indonesia
RB4	
RB5	Cyprus
RB6	Panama
RB7	Barbados
RB8	Malaysia(U.S.A. version)

SELECTION CODE	COUNTRIES
RC1	Malaysia(Europe version)
RC2	Singapore
RC5	Dominican Republic, Ecuador

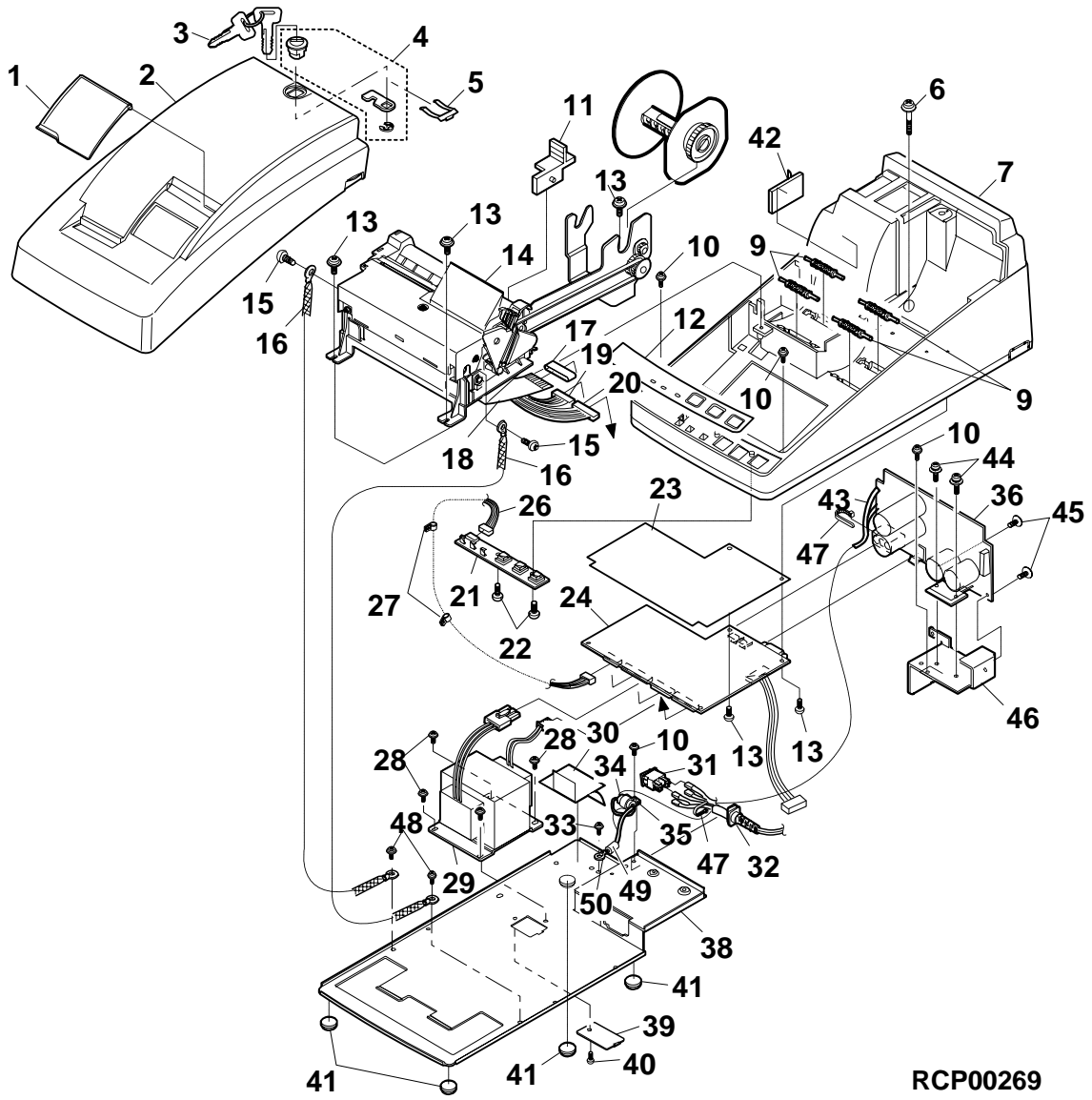
1 Exteriors

NO.	PARTS CODE	PRICE RANK	NEW MARK	PART RANK	DESCRIPTION	
1	P F i L W 6 9 5 9 B H Z Z	AL		C	Journal filter	
2	G C O V A 7 1 2 0 B H Z Z	AY		D	Printer cover	
3	L K G i M 7 3 5 6 B H Z Z	AK		B	Printer cover lock key	
4	L K G i W 7 3 5 5 B H Z Z	AX		B	Lock(body)	
5	M S P R K 6 7 3 0 B H Z Z	AC		C	Lock spring	
6	L X - B Z 6 7 5 5 B H Z Z	AB		C	Screw	
7	G C A B B 7 2 3 2 B H Z Z	BB		D	Top cabinet	
9	N R O L P 6 6 5 6 B H Z Z	AF		C	Roller	
10	X B P S D 3 0 P 0 8 K S 0	AA		C	Screw (M3×8KS)	
11	M L E V P 6 7 1 5 B H Z Z	AF		C	Stopper	
12	H D E C P 6 8 4 5 B H Z Z	AN		D	Deco panel	
13	L X - B Z 1 0 8 5 C C Z Z	AA		C	Screw (3×8)	
14	K i - O B 6 7 7 9 B H Z Z	CG		E	Printer unit (PR-58L)	
15	X B P S D 3 0 P 0 6 K 0 0	AA		C	Screw (M3×6K)	
16	Q C N W - 7 8 0 1 B H Z Z	AF		C	Printer earth wire	
17	R C O R F 6 6 8 6 R C Z Z	AN		C	Core (SSC33.5-20F)	
18	Q C N W - 7 7 8 3 B H Z Z	AQ		C	TP flat cable (26pin)	
19	Q C N W - 7 7 9 2 B H Z Z	AQ		C	Printer cable (10pin)	
20	Q C N W - 7 7 9 3 B H Z Z	AR		C	Printer cable (12pin)	
21	C P W B F 7 4 8 8 B H 0 1	BA		E	Panel PWB unit	
22	X E P S D 3 0 P 0 8 0 0 0	AA		C	Screw (3×8)	
23	G C O V H 7 1 2 1 B H Z Z	AS		D	Main PWB sheet	
24	C P W B X 7 4 8 6 B H 0 1	CG		E	Control PWB unit	
26	Q C N W - 7 7 9 1 B H Z Z	AN		C	Panel cable (7pin)	
27	L H L D W 6 8 2 1 B H Z Z	AD		C	Clamp	
28	X B P S D 4 0 P 0 8 K S 0	AA		C	Screw (M4×8KS)	
△	29	R T R N P 6 8 8 7 B H Z Z	BL	B	Power transformer	[KA,KB,TQ,TS]
△	30	R T R N P 6 8 8 6 B H Z Z	BN	B	Power transformer	[U.S.A]
	30	G C O V H 7 1 2 2 B H Z Z	AT	D	AC sw sheet	
	31	Q S W - C 9 2 1 2 Q C Z Z	AH	B	Powe switch	
△		Q A C C V 6 4 2 2 Q C Z Z	AT	B	AC cord (250V 6A)	[TQ,TS]
△		Q C N W - 7 2 1 2 R C Z Z	AH	B	BS ordiary cable	[KB]
	32	Q P L G A 0 0 0 6 Q C Z Z	AQ	C	Plug	[KB]
△		Q A C C L 7 4 2 1 B H Z Z	AX	B	AC cord (SP-500)	[KA]
△		Q A C C D 8 4 1 1 B H Z Z	AV	B	AC cord	[U.S.A]
	33	X B P B Z 4 0 P 0 6 K 0 0	AA	C	Screw (M4×6K)	
	34	R C O R F 6 7 0 3 B H Z Z	AG	C	Core (OP12×15)	
	35	L H L D W 0 0 0 7 S C Z Z	AA	C	Wire holder (HP-7N)	
	36	C P W B F 7 4 8 7 B H 0 1	BR	E	N.F/PS PWB unit	(include No.44-46)[KA,KB]
		C P W B F 7 4 8 7 B H 0 2	BR	E	N.F/PS PWB unit	(include No.44-46)[TQ,TS]
		C P W B F 7 4 8 7 B H 0 3	BT	E	N.F/PS PWB unit	(include No.44-46)[U.S.A]
	38	L P L T M 6 7 0 1 B H Z A	BC	C	Bottom plate	
	39	L A N G H 7 6 0 1 B H Z Z	AK	C	SW angle	
	40	X H P S D 3 0 P 0 6 K 0 0	AA	C	Screw (M3×6K)	
	41	P G U M M 6 7 2 9 B H Z Z	AF	C	Gum leg	
	42	P H O G - 6 6 3 1 B H Z Z	AK	D	Cushion	
	43	Q C N W - 7 7 9 9 B H Z Z	AH	C	N/F cable	
	44	X B P S D 3 0 P 1 5 K S 0	AA	C	Screw (3×15KS)	
	45	X B P S D 3 0 P 1 0 K S 0	AB	C	Screw (M3×10KS)	
	46	P R D A F 6 6 6 4 B H Z A	AR	C	Heat sink	
	47	L B N D J 2 0 0 3 S C Z Z	AA	C	Cable band	
	48	L X - B Z 6 7 7 5 B H Z Z	AA	C	Screw	
	49	Q T A N P 0 0 0 4 B H Z A	AE	C	Earth terminal	
	50	Q C N W - 7 8 1 9 B H Z Z	AF	C	Earth wire	
	501	D U N T - 1 8 1 7 B H Z Z	AY	E	Lock key unit	(include No.3-5)

2 Packing material&Accessories

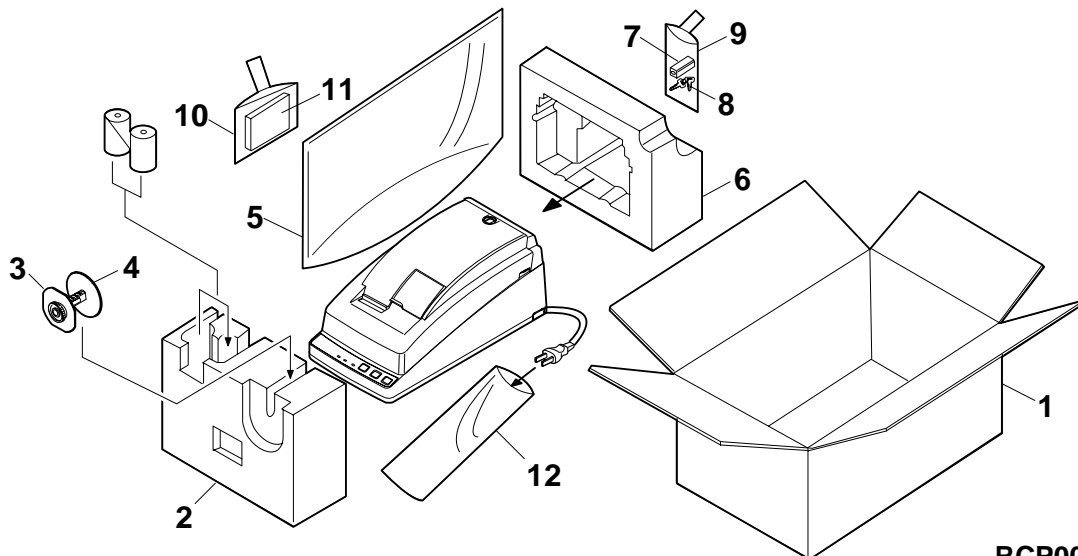
NO.	PARTS CODE	PRICE RANK	NEW MARK	PART RANK	DESCRIPTION	
1	S P A K C 8 3 4 7 B H Z Z	AW		D	Packing case	
2	S P A K A 8 3 4 5 B H Z Z	AS		D	Packin add (F)	
3	N G E R H 6 6 4 2 B H Z Z	AR		D	Spool	
4	P G i D H 6 7 1 8 B H Z Z	AH		D	P/G wheel	
5	S S A K H 0 0 0 3 D H Z Z	AE		D	Vinyl bag (640×560mm)	(for SET)
6	S P A K A 8 3 4 6 B H Z Z	AS		D	Packing add(R)	
7	R C O R F 6 7 0 0 B H Z Z	AS		C	Core	
8	L K G i M 7 3 5 6 B H Z Z	AK		B	Printer cover lock key	
9	S S A K H 4 2 3 1 C C Z Z	AA		D	Vinyl bag (140×500mm)	
10	S S A K H 3 0 1 5 C C Z Z	AA		D	Vinyl bag (200×300mm)	
11	T i N S M 7 3 5 4 B H Z Z	BA		D	Instruction book	[KA,KB,TQ,TS]
	T i N S E 7 3 5 5 B H Z Z	AU	N	D	Instruction book	[U.S.A]
12	S S A K H 3 0 1 2 C C Z Z	AA		D	Vinyl bag (80×120mm)	(for AC cord)
101	U B N D A 6 6 2 9 B H Z Z	AA		C	AC cord band (4mm×200mm)(Green)	

1 Exteriors



RCP00269

2 Packing material & Accessories



RCP00270

3 Control PWB unit

NO.	PARTS CODE	PRICE RANK	NEW MARK	PART RANK	DESCRIPTION
1	QCNCM1060AC03	AB		C	Connector (Short Pin 3P) [SW1]
2	QCNCM2551RC0G	AE		C	Connector (5pin) [PACN]
3	QCNCM2551RC1B	AE		C	Connector (12pin) [PRCN1]
4	QCNCM2551RC1J	AF		C	Connector (10pin) [PRCN2]
5	QCNCM7125BH0i	AN		C	Connector ((9P) MLX 87023-6066) [RSCN]
6	QCNCW1057ACZZ	AB		C	Connector (Short socket) [SW1]
7	QCNCW7195RC2F	AN		C	Connector (26pin) [THCN]
8	QCNCW-7790BHZZ	AP		C	PS cable [PSCN]
9	QSOCZ2042SC32	AE		C	IC socket (32pin) [IC19]
10	QSW-Z5017BCZZ	AN		B	Dip switch (DSS708)(8pin) [S1,2]
11	RALMB6646BHZZ	AQ		B	Buzzer [BZ1]
12	RC-DZ1041RC0L	AN		C	Capacitor (SCDA5R104H) [BT1]
13	RC-EZ105ARC1C	AC		C	Capacitor (16WV 1μF) [C63]
14	RCRSZ7008SCZZ	AD		B	Crystal (16MHz) [XTAL1]
15	VCEAGU1VW477M	AD		C	Capacitor (35WV 470μF) [C36]
16	VHi4AC16///-1	AK		B	IC (4AC16) [IC2,3]
17	VHiTA8428K/-1	AN		B	IC (TA8428K) [IC5]
18	VRD-RC2EY2R7J	AA		C	Resistor (1/4W 2.7Ω ±5%) [R138]
20	RCORF1008ACZZ	AB		C	Chip bead (BUM21A05) [BD3,5-8,10,11,13-22,27,28,29,30]
21	RCORF7002BHZZ	AE		C	Chip core (EFCB322513TS) [BD9,12,23,24]
22	VHD1SS353///-1	AB		B	Diode (1SS353) [D2,3,4,5]
23	VS2SA1036KQRC	AB		B	Transistor (2SA1036) [Q5]
24	VS2SC4699KP-1	AC		B	Transistor (2SC4699KP) [Q3]
25	VS2SD1664QR-1	AD		B	Transistor (2SD1664QR) [IC28]
26	VSDTC143EK/-1	AB		B	Transistor (DTC143EK) [IC8,9,27]
27	VSDTC144EK/-1	AC		B	Transistor (DTC144EK) [IC10]
28	VCKYTV1HB102K	AA		C	Capacitor (50WV 1000pF) [C19,28,31,37,38,53,54,55,61,64]
29	VCCCTV1HH101J	AA		C	Capacitor (50WV 100pF) [C39,44,47,76-96]
30	VCCCTV1HH150J	AA		C	Capacitor (50WV 15PF) [C1,2]
31	VCCCTV1HH331J	AA		C	Capacitor (50WV 330pF) [C57,70,71,72,73,74,75]
32	VCCCTV1HH470J	AA		C	Capacitor (50WV 47pF) [C48,49,97]
33	VCKYTV1HF104Z	AA		C	Capacitor (50WV 0.10μF) [C13,15,20-23,25,27,28,30,33,41]
	VCKYTV1HF104Z	AA		C	Capacitor (50WV 0.10μF) [C45,46,50,51,52,62,65,66,69]
34	VRS-TS2AD101J	AA		C	Resistor (1/10W 100Ω ±5%) [R34,35,36]
35	VRS-TS2AD102J	AA		C	Resistor (1/10W 1.0KΩ ±5%) [R41-46,66-69,115,121]
36	VRS-TS2AD103F	AA		C	Resistor (1/10W 10KΩ ±1%) [R123]
37	VRS-TS2AD103G	AB		C	Resistor (1/10W 10KΩ ±2%) [R103]
38	VRS-TS2AD103J	AA		C	Resistor (1/10W 10KΩ ±5%) [R17-32,38,39,70,72,73,75-92,95]
	VRS-TS2AD103J	AA		C	Resistor (1/10W 10KΩ ±5%) [R98,127,129,131,134,230,132,133]
39	VRS-TS2AD123F	AA		C	Resistor (1/10W 12KΩ ±1%) [R122]
40	VRS-TS2AD203J	AA		C	Resistor (1/10W 20KΩ ±5%) [R107]
41	VRS-TS2AD222J	AA		C	Resistor (1/10W 2.2KΩ ±5%) [R50-57]
42	VRS-TS2AD223J	AA		C	Resistor (1/10W 22KΩ ±5%) [R64]
43	VRS-TS2AD272J	AA		C	Resistor (1/10W 2.7KΩ ±5%) [R104]
44	VRS-TS2AD332J	AA		C	Resistor (1/10W 3.3KΩ ±5%) [R108]
45	VRS-TS2AD334J	AA		C	Resistor (1/10W 330KΩ ±5%) [R110]
46	VRS-TS2AD470J	AA		C	Resistor (1/10W 47Ω ±5%) [R112,114]
47	VRS-TS2AD472J	AA		C	Resistor (1/10W 4.7KΩ ±5%) [R126]
48	VRS-TS2AD473J	AA		C	Resistor (1/10W 47KΩ ±5%) [R65,93,94,96,97,111]
49	VRS-TS2AD562J	AA		C	Resistor (1/10W 5.6KΩ ±5%) [R74]
50	VRS-TS2AD563J	AA		C	Resistor (1/10W 56KΩ ±5%) [R113]
51	VRS-TS2AD912G	AA		C	Resistor (1/10W 9.1KΩ ±2%) [R102]
52	RCiLZ1003BHZZ	AF		C	Dip coil (BFW7550R2) [BD1,2,4,25,26]
53	VCEAJA1CW106M	AB		C	Capacitor (16WV 10μF) [C3,14,24,32,42]
54	VCEAJA1HW105M	AB		C	Capacitor (50WV 1.0μF) [C58]
55	VCEAJA1VW106M	AB		C	Capacitor (35WV 10μF) [C29,94]
56	VHViCPN70///-1	AF		B	IC protector (ICP-N70) [ICP]
57	VHi6413003T16	BC		B	IC (6413003T16) [IC14]
58	VHi74F02SJ/-1	AF		B	IC (74F02SJ) [IC24]
59	VHiG76C256F70	BC		B	IC (G76C256F70) [IC11,18]
60	VHiGD74HC244D	AN		B	IC (GD74HC244D) [IC20,21,22]
61	VHiIR9393N/-1	AD		B	IC (IR9393N) [IC31]
62	VHiLHF40SUTZ1	BE		B	IC (LHF40SUTZ1) [IC51]
63	VHiMAX211CAI1	AW		B	IC (MAX211CAI) [IC4]
64	VHiSN74HC00NS	AC		B	IC (SN74HC00NS) [IC25]
65	VHiSN74HC02D1	AH		B	IC (SN74HC02DR)(VHISN74HC02DR) [IC26]
66	VHiSN74HC32NS	AK		B	IC (SN74HC32NS) [IC23]
67	VHiTD62308F-1	AH		B	IC (TD62308F) [IC1]
68	VS2SJ328-Z/-1	AP		B	Transistor (2SJ328J) [Q1]
69	VCCCTV1HH101J	AA		C	Capacitor (50WV 100pF) [C35]
70	VCCCTV1HH331J	AA		C	Capacitor (50WV 330pF) [C60]
71	VCCCTV1HH470J	AA		C	Capacitor (50WV 47pF) [C4-7,16,17]
72	VCKYTV1HB102K	AA		C	Capacitor (50WV 1000pF) [C8-10,12,18,56,59]
73	VCKYTV1HF104Z	AA		C	Capacitor (50WV 0.10μF) [C11,67,68]
74	VHD1SS353///-1	AB		B	Diode (1SS353) [D1]
75	VHiKiA431F/-1	AK		B	IC (KIA431F) [IC6]
76	VS2SA1036KQRC	AB		B	Transistor (2SA1036) [Q2,4]
77	VSDTC143EK/-1	AB		B	Transistor (DTC143EK) [IC7,11,12,29]
78	VRD-RB2HY101J	AA		C	Resistor (1/2W 100Ω ±5%) [R105]
79	VRS-TS2AD101J	AA		C	Resistor (1/10W 100Ω ±5%) [R1-16,117]

3 Control PWB unit

NO.	PARTS CODE	PRICE RANK	NEW MARK	PART RANK	DESCRIPTION
80	VRS-TS2AD102J	AA		C	Resistor (1/10W 1.0KΩ ±5%) [R37,109,125,136,137]
81	VRS-TS2AD103J	AA		C	Resistor (1/10W 10KΩ ±5%) [R59,60,61,62,63,106,128,130]
82	VRS-TS2AD122J	AA		C	Resistor (1/10W 1.2KΩ ±5%) [R120]
83	VRS-TS2AD163F	AA		C	Resistor (1/10W 16KΩ ±1%) [R48]
84	VRS-TS2AD183G	AB		C	Resistor (1/10W 18KΩ ±2%) [R40]
85	VRS-TS2AD203J	AA		C	Resistor (1/10W 20KΩ ±5%) [R71]
86	VRS-TS2AD241J	AA		C	Resistor (1/10W 24Ω ±5%) [R49]
87	VRS-TS2AD272G	AB		C	Resistor (1/10W 2.7Ω ±2%) [R101]
88	VRS-TS2AD272J	AA		C	Resistor (1/10W 2.7KΩ ±5%) [R99]
89	VRS-TS2AD332J	AA		C	Resistor (1/10W 3.3KΩ ±5%) [R119]
90	VRS-TS2AD362F	AA		C	Resistor (1/10W 3.6KΩ ±1%) [R47]
91	VRS-TS2AD470J	AA		C	Resistor (1/10W 47Ω ±5%) [R33]
92	VRS-TS2AD472J	AA		C	Resistor (1/10W 4.7KΩ ±5%) [R116]
93	VRS-TS2AD562J	AA		C	Resistor (1/10W 5.6KΩ ±5%) [R118,135]
94	VRS-TS2AD563J	AA		C	Resistor (1/10W 56KΩ ±5%) [R100]
95	QCNCM2423RC0H	AD		C	Connector (8pin) [PSCN]
	(Unit)				
901	CPWBX7486BH01	CG		E	Control PWB unit

4 N.F/PS PWB unit

NO.	PARTS CODE	PRICE RANK	NEW MARK	PART RANK	DESCRIPTION
1	PRDAF6664BHZA	AR		C	Heat sink
2	QCNCM1101BHZZ	AC		C	PS connector (5273-02A)(2P) [PSCN1]
3	QCNCW6865BH0H	AD		C	PS Connector (6267-08A) [PSCN2]
4	QCNCW7199BH0E	AE		C	Connector (35328-0510) [TRCN]
5	QFS-C1028CCZZ	AE		A	Fuse (T250mA/250V) (KA,KB,TQ,TS)[F3]
	QFS-B0230QCZZ	AD		A	Fuse (400mA 125V) (U.S.A)[F3]
	QFS-C1322QCZZ	AE		A	Fuse (250V 1A) (KA,KB,TQ,TS)[F1]
6	QFS-B0330QCZZ	AE		A	Fuse (T1.6A 125V) (U.S.A)[F1]
	QFS-C2521TAZZ	AE		A	Fuse (250V 2.5A) (KA,KB,TQ,TS)[F2]
7	QFS-B0322QCZZ	AC		A	Fuse (UL125V 3.15A) (U.S.A)[F2]
8	RC-DZ4781RC1J	AY		C	Capacitor (63WV 4700μF) [C4,5]
9	RC-FZ1041RC2E	AE		C	Capacitor (250WV 0.1μF) [C1,2]
10	RCiLC6647RCZZ	AE		C	Coil (RCH-110) [L3]
11	RCiLC6652RCZZ	AK		C	Coil (24V)(MC182-201M) [L1]
12	RCiLC6654BHZZ	AR		C	Coil [SL1]
13	VCEA2U1HW228M	AH		C	Capacitor (50WV 2200μF) [C6,7]
14	VCEAGU1CW108M	AD		C	Capacitor (16WV 1000μF) [C13]
15	VHDCP301///-1	AL		B	Diode (CP301) [BD1]
16	VHiKA34063A-1	AP		B	IC (KA34063A) [IC2]
17	VHiSTR2124/-1	AR		B	IC (STR2124) [IC3]
18	XBPSD30P10KS0	AB		C	Screw (M3×10KS) [(for heat sink)]
19	XBPSD30P15KS0	AA		C	Screw (3×15KS)
20	VHDSB140///-1	AF		B	Diode (SB140) [D5]
21	VHERD5.6FB3-1	AC		B	Zener diode (RD5.6FB3) [ZD2]
22	VRD-RB2HY394J	AA		C	Resistor (1/2W 390KΩ ±5%) [R1]
23	VRNRC2EK1201F	AA		C	Resistor (1/4W 1.2KΩ ±1%) [R6]
24	VRNRC2EK3601F	AA		C	Resistor (1/4W 3.6Ω ±1%) [R5]
25	QFSD2109AFZZ	AC		C	Fuse holder (HD2109AF) [F1,2,3]
26	VCKYPU1HB221K	AB		C	Capacitor (50WV 220pF) [C12]
27	RC-KZ1054CCZZ	AB		C	Capacitor (50WV 0.1μF) [C11]
28	VCQYNA2AM103K	AA		C	Capacitor (100WV 0.10μF) [C3]
29	QCNW-7790BHZZ	AP		C	PS cable
30	LX-BZ6782BHZZ	AA		C	Screw (3×8KS)
31	XNESD30-24000	AA		C	Nut (M3)
32	XBPSD30P12KS0	AA		C	Screw (3×12KS) [(IC3)]
	(Unit)				
901	CPWBF7487BH01	BR		E	N.F/PS PWB unit [KA,KB]
	CPWBF7487BH02	BR		E	N.F/PS PWB unit [TQ,TS]
	CPWBF7487BH03	BT	N	E	N.F/PS PWB unit [U.S.A]

5 Panel PWB unit

NO.	PARTS CODE	PRICE RANK	NEW MARK	PART RANK	DESCRIPTION
1	PCAPZ6641BHZZ	AE		C	Switch cap (JC0808A) [SW1,2,3]
2	QCNCM2551RC0G	AE		C	Connector (7pin) [CN]
3	QSW-P6905BHZZ	AG		B	Push switch (JTP1212FE) [SW1,2,3]
4	VHPSB25MG///-1	AF		B	LED (SB25MG Green) [LED1,3]
5	VHPSB25VR///-1	AF		B	LED (SB25VR Red) [LED2]
6	VRD-RC2EY221J	AA		C	Resistor (1/4W 22Ω ±5%) [R1,3]
7	VRD-RC2EY471J	AA		C	Resistor (1/4W 470Ω ±5%) [R2]

■ Index

PARTS CODE	NO.	PRICE RANK	NEW MARK	PART RANK
【C】				
CPWBF7487BH01	1- 36	BR		E
//	4-901	BR		E
CPWBF7487BH02	1- 36	BR		E
//	4-901	BR		E
CPWBF7487BH03	1- 36	BT	N	E
//	4-901	BT	N	E
CPWBF7488BH01	1- 21	BA		E
//	5-901	BA		E
CPWBX7486BH01	1- 24	CG		E
//	3-901	CG		E
【D】				
DUNT-1817BHZZ	1-501	AY		E
DUNT-5800BHZZ	7- 1	AZ		S
【G】				
GCABB7232BHZZ	1- 7	BB		D
GCÖVA7120BHZZ	1- 2	AY		D
GCÖVH7121BHZZ	1- 23	AS		D
GCÖVH7122BHZZ	1- 30	AT		D
GFTAT6923BHZZ	7-110	AK		D
【H】				
HDECP6845BHZZ	1- 12	AN		D
【K】				
Ki-ÖB6779BHZZ	1- 14	CG		E
【L】				
LANGH7601BHZZ	1- 39	AK		C
LANGK7599BHZZ	7-101	AN		C
LANGT7608BHZZ	7-111	AZ		C
LANGT7609BHZZ	7-112	BB		C
LBNDJ2003SCZZ	1- 47	AA		C
LHLDW0007SCZZ	1- 35	AA		C
LHLDW6821BHZZ	1- 27	AD		C
LKGiM7356BHZZ	1- 3	AK		B
//	2- 8	AK		B
LKGiW7355BHZZ	1- 4	AX		B
LPLTM6701BHZA	1- 38	BC		C
LX-BZ1085CCZZ	1- 13	AA		C
LX-BZ6755BHZZ	1- 6	AB		C
LX-BZ6775BHZZ	1- 48	AA		C
LX-BZ6782BHZZ	4- 30	AA		C
【M】				
MLEVF6714BHZZ	7-102	AL		C
MLEVP6715BHZZ	1- 11	AF		C
MSPRC6753BHZZ	7-105	AD		C
MSPRK6730BHZZ	1- 5	AC		C
【N】				
NGERH6642BHZZ	2- 3	AR		D
NRÖLP6656BHZZ	1- 9	AF		C
【P】				
PCAPZ6641BHZZ	5- 1	AE		C
PFiLW6959BHZZ	1- 1	AL		C
PGiDH6718BHZZ	2- 4	AH		D
PGUMM6729BHZZ	1- 41	AF		C
PHÖG-6631BHZZ	1- 42	AK		D
PRDAF6664BHZA	1- 46	AR		C
//	4- 1	AR		C
【Q】				
QACCD8411BHZZ	1- 32	AV		B
QACCL7421BHZZ	1- 32	AX		B
QACCV6422QCZZ	1- 32	AT		B
QCNCM1060AC03	3- 1	AB		C
QCNCM1101BHZZ	4- 2	AC		C
QCNCM2423BH02	7-107	AD		C
QCNCM2423RC0H	3- 95	AD		C
QCNCM2551RC0G	3- 2	AE		C
//	5- 2	AE		C
QCNCM2551RC1B	3- 3	AE		C
QCNCM2551RC1J	3- 4	AF		C
QCNCM5278NCZZ	7- 2	AC		S
QCNCM7125BH0i	3- 5	AN		C
QCNCW1057ACZZ	3- 6	AB		C
QCNCW6865BH0H	4- 3	AD		C
QCNCW7195RC2F	3- 7	AN		C
QCNCW7199BH0E	4- 4	AE		C
QCNW-7212RCZZ	1- 32	AH		B
QCNW-7783BHZZ	1- 18	AQ		C
QCNW-7790BHZZ	3- 8	AP		C
//	4- 29	AP		C
QCNW-7791BHZZ	1- 26	AN		C

PARTS CODE	NO.	PRICE RANK	NEW MARK	PART RANK
QCNW-7792BHZZ	1- 19	AQ		C
QCNW-7793BHZZ	1- 20	AR		C
QCNW-7799BHZZ	1- 43	AH		C
QCNW-7800BHZZ	7-106	AE		C
QCNW-7801BHZZ	1- 16	AF		C
QCNW-7802BHZZ	7-109	AE		C
QCNW-7819BHZZ	1- 50	AF		C
QFS-B0230QCZZ	4- 5	AD		A
QFS-B0322QCZZ	4- 7	AC		A
QFS-B0330QCZZ	4- 6	AE		A
QFS-C1028CCZZ	4- 5	AE		A
QFS-C1322QCZZ	4- 6	AE		A
QFS-C2521TAZZ	4- 7	AE		A
QFSHD2109AFZZ	4- 25	AC		C
QPLGA0006QCZZ	1- 32	AQ		C
QSOCC2042SC32	3- 9	AE		C
QSW-C9212QCZZ	1- 31	AH		B
QSW-M6887BHZZ	7-103	AV		B
QSW-P6905BHZZ	5- 3	AG		B
QSW-Z5017BCZZ	3- 10	AN		B
QTANP0004BHZA	1- 49	AE		C
【R】				
RALMB6646BHZZ	3- 11	AQ		B
RC-DZ1041RC0L	3- 12	AN		C
RC-DZ4781RC1J	4- 8	AY		C
RC-EZ105ARC1C	3- 13	AC		C
RC-FZ1041RC2E	4- 9	AE		C
RC-KZ1054CCZZ	4- 27	AB		C
RCiLC6647RCZZ	4- 10	AE		C
RCiLC6652RCZZ	4- 11	AK		C
RCiLC6654BHZZ	4- 12	AR		C
RCiLZ1003BHZZ	3- 52	AF		C
RCÖRF1008ACZZ	3- 20	AB		C
RCÖRF6686RCZZ	1- 17	AN		C
RCÖRF6700BHZZ	2- 7	AS		C
RCÖRF6703BHZZ	1- 34	AG		C
RCÖRF7002BHZZ	3- 21	AE		C
RCRSZ7008SCZZ	3- 14	AD		B
RTRNP6886BHZZ	1- 29	BN	N	B
RTRNP6887BHZZ	1- 29	BL		B
【S】				
SPAKA8345BHZZ	2- 2	AS		D
SPAKA8346BHZZ	2- 6	AS		D
SPAKC8347BHZZ	2- 1	AW		D
SSAKH0003DHZZ	2- 5	AE		D
SSAKH3012CCZZ	2- 12	AA		D
SSAKH3015CCZZ	2- 10	AA		D
SSAKH4231CCZZ	2- 9	AA		D
【T】				
TiNSE7355BHZZ	2- 11	AU	N	D
TiNSM7354BHZZ	2- 11	BA		D
TPAPR6656RC05	6- 1	BA		S
【U】				
UBNDA6629BHZZ	2-101	AA		C
【V】				
VCCCTV1HH101J	3- 29	AA		C
//	3- 69	AA		C
VCCCTV1HH150J	3- 30	AA		C
VCCCTV1HH331J	3- 31	AA		C
//	3- 70	AA		C
VCCCTV1HH470J	3- 32	AA		C
//	3- 71	AA		C
VCEA2U1HW228M	4- 13	AH		C
VCEAGU1CW108M	4- 14	AD		C
VCEAGU1VW477M	3- 15	AD		C
VCEAJA1CW106M	3- 53	AB		C
VCEAJA1HW105M	3- 54	AB		C
VCEAJA1VW106M	3- 55	AB		C
VCKYPU1HB221K	4- 26	AB		C
VCKYTV1HB102K	3- 28	AA		C
//	3- 72	AA		C
VCKYTV1HF104Z	3- 33	AA		C
//	3- 73	AA		C
VCQYNA2AM103K	4- 28	AA		C
VHD1SS353//--1	3- 22	AB		B
//	3- 74	AB		B
VHDCP301///--1	4- 15	AL		B
VHDSB140///--1	4- 20	AF		B
VHERD5.6FB3-1	4- 21	AC		B
VHi27040RAY1B	7- 11	BB		S
VHi4AC16///--1	3- 16	AK		B

SHARP

SHARP